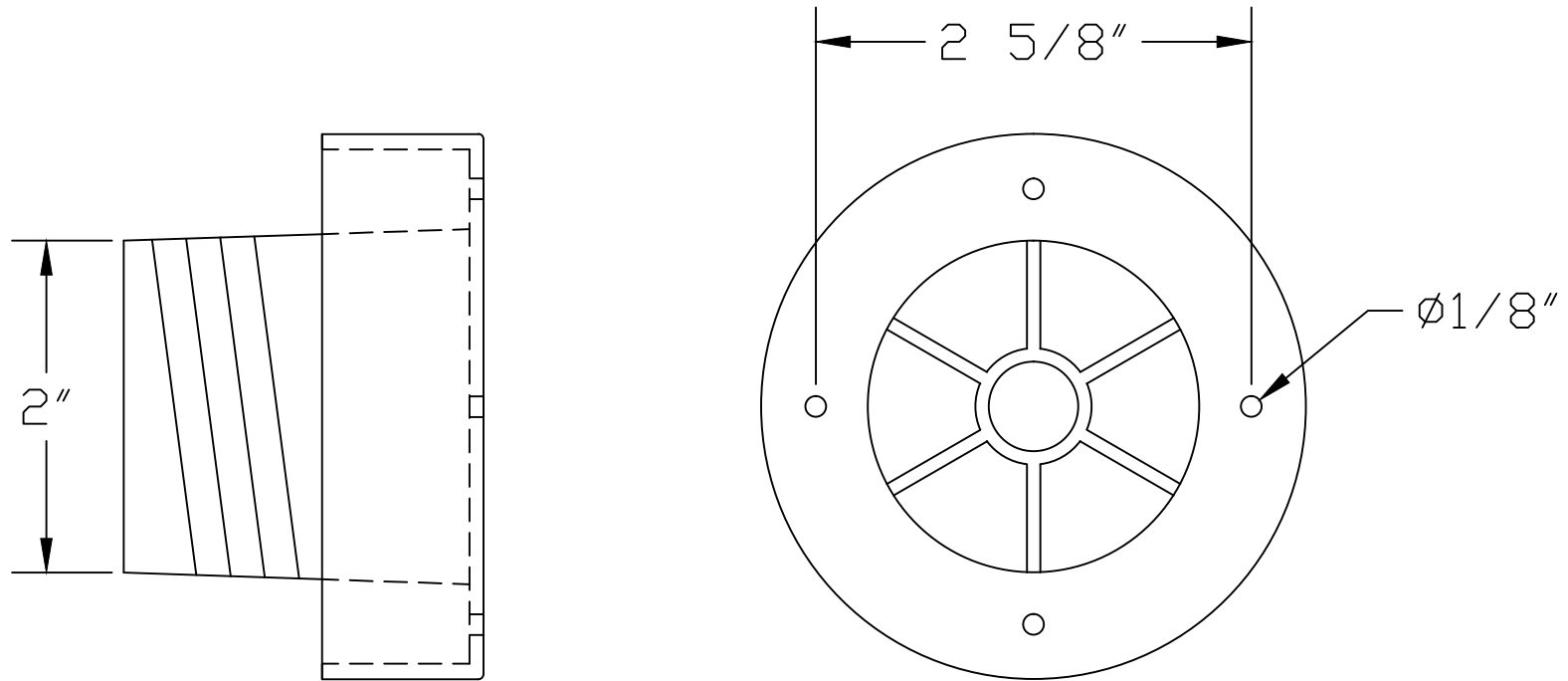


USER:

DATE:

NUMBER:



Grillworks, Inc.

STYLE:

MODEL: **SMALL COUPLER**

1609 Halbur Road
Marshall, MN 56258

Tel. (507)-532-3524
Fax. (507)-532-3526

ITEM CODE:

SPECIES:

ENGINEER: **K. IDSO**

DWG NO. **101909GW01**

REV.